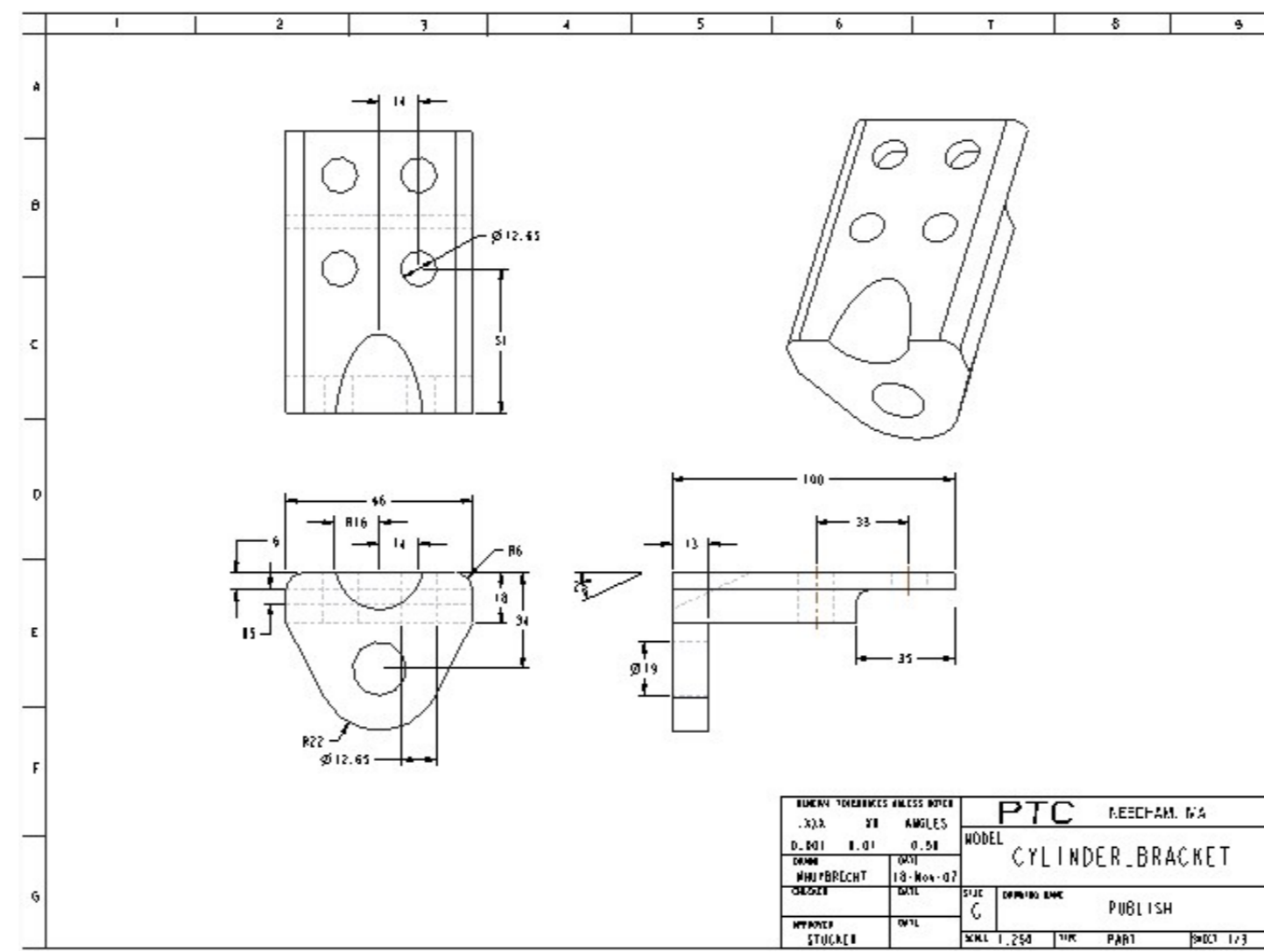


DOWNLOAD

[Pic.Creo.Parametric.2.0.Torrent.Download](#)



[Pic.Creo.Parametric.2.0.Torrent.Download](#)

DOWNLOAD

Creo parametric 2.0 with crack 64 bit May 23 2018 PTC Creo 3. 0 also enables ... You cannot download the '.torrent' file from here either. We don't even cache it.. Download the PTC Creo 4.0 DVD image: ... 2. If this is the first time you install Creo please jump to the next step. If you had older Creo editions ...

The flagship application in Creo Suite, Creo Parametric is the only software you need for 3D CAD. With Creo Parametric, you can seamlessly Title: Ptc Creo 2.0 M040 Ssq Torrent, Author: gerlessprefin, Name: .. PTC Creo 3.0 M030 SSQ fast download, free download via HTTP available Learn PTC Creo 5.0 (Pro-e) - Basic to Advance Guide Udemy Free download. Learn PTC Creo Parametric 5.0 at your time - A Complete Guide. ... The torrent download speed might be slow due to very low amount of seeders, we highly recommend you ... iOS 13 & Swift 5 - The Complete iOS App Development Bootcamp 2 ...

creo parametric

creo parametric, creo parametric student, creo parametric tutorial, creo parametric 2.0, creo parametric 7.0, creo parametric price, creo parametric 7.0 tutorial pdf, creo parametric latest version, creo parametric 5.0 book pdf, creo parametric tutorial pdf, creo parametric vs solidworks, creo parametric 5.0, creo parametric sweep, creo parametric system requirements

The current version of PTC Creo is 2.0. ... Engineering students can download PTC Creo Schools Edition, version 1 or 2, or Creo Elements/Pro, on personal Creo 2.0 makes you more productive than ever it's packed with new enhancements and capabilities to help you design the products of the PTC Creo 2.0 M240 + Help Center x86+x64 Multilanguage Release Date : 2017 Version : Creo 2.0 M240 Developer : PTC Developer Website Update to Creo Parametric 2.0 from Pro/ENGINEER Wildfire 4.0 • Introduction to Creo Parametric 2.0 ... download Curriculum Guide Creo (2.0 – 3.0) for study. download Curriculum ... Curriculum Guide Creo 2 0 2012 Torrent Download Ptc. ADVANCED TUTORIAL FOR CREO PARAMETRIC RELEASES 1 0 2 0 PDF.. How To Install PTC CREO PRO E 3.0 With ... Tutorial by Roger Toogood PDF ... Download DATAKIT CrossManager 2019.3 ... Creo Parametric 2.0 Download ...

creo parametric tutorial

Ptc Creo Parametric 2.0 Torrent Download DOWNLOAD: <http://geags.com/1dt4rk> creo parametric download, creo parametric tutorial, creo parametric, creo ...

creo parametric 7.0

Free Download Udemy Learn PTC Creo 5.0 - Basic to Advance Guide. With the help of this course you can Learn PTC Creo Parametric 5.0 at CAD / CAM / CAE System American company PTC (Parametric Technology Corporation) is a CAD system of the upper level and covers all areas of design. The table below provides an overview of notable computer-aided design (CAD) software. ... Alibre Design by Alibre, LLC, 2017, Version 2017.1.2, 2D/3D, No, Yes, No, Proprietary, Yes ... Parametric direct modeling. ... March 29, 2017 / Creo 4.0 (M010), 2D/3D hybrid. Some, Yes, Unknown ... "ArchCAD BitTorrent Downloads". PTC Creo Working Serial & With Torrent Free ... Creo covers a range of tools; with Parametric, you can design an entire product; with Diect, you can work with ... Lectora Publisher 18.0.2 Patch Is Here File 2019 Download.. Download Links : Sigmetrix CETOL 6.0 v9.1.1 for PTC Creo 2.0-4.0 x64 Crack ... 2 crack torrent but duvetkind epub Eagles, Hotel California. ... Exhibit Download crack serial keygen cd key Password. creo parametric 2.0 . Ptc Creo 2.0 M040 Full Multilanguage X64 Torrent Files ... PTC Creo 3.0 M030 SSQ fast download, free download via HTTP available as well. Download. Ptc Creo Parametric 2.0 Torrent. PTC Creo 2.0 M010 Full Multilanguage - Hispargino Programas PTC Creo 2.0 M010 Full Multilanguage .. Como. If you want to download the PTC Creo 3. ... Pramod prajapati 3 years ago Creo pump design Karthik R 3 years ago How Creo Parametric 2.. 6/5/2017 - Ptc Creo Parametric 2.0 Torrent Download > btily.com/14fbs0 Creo Software Downloads & Free Trials Try the Next Generation of Product Design ... cfe45ce80